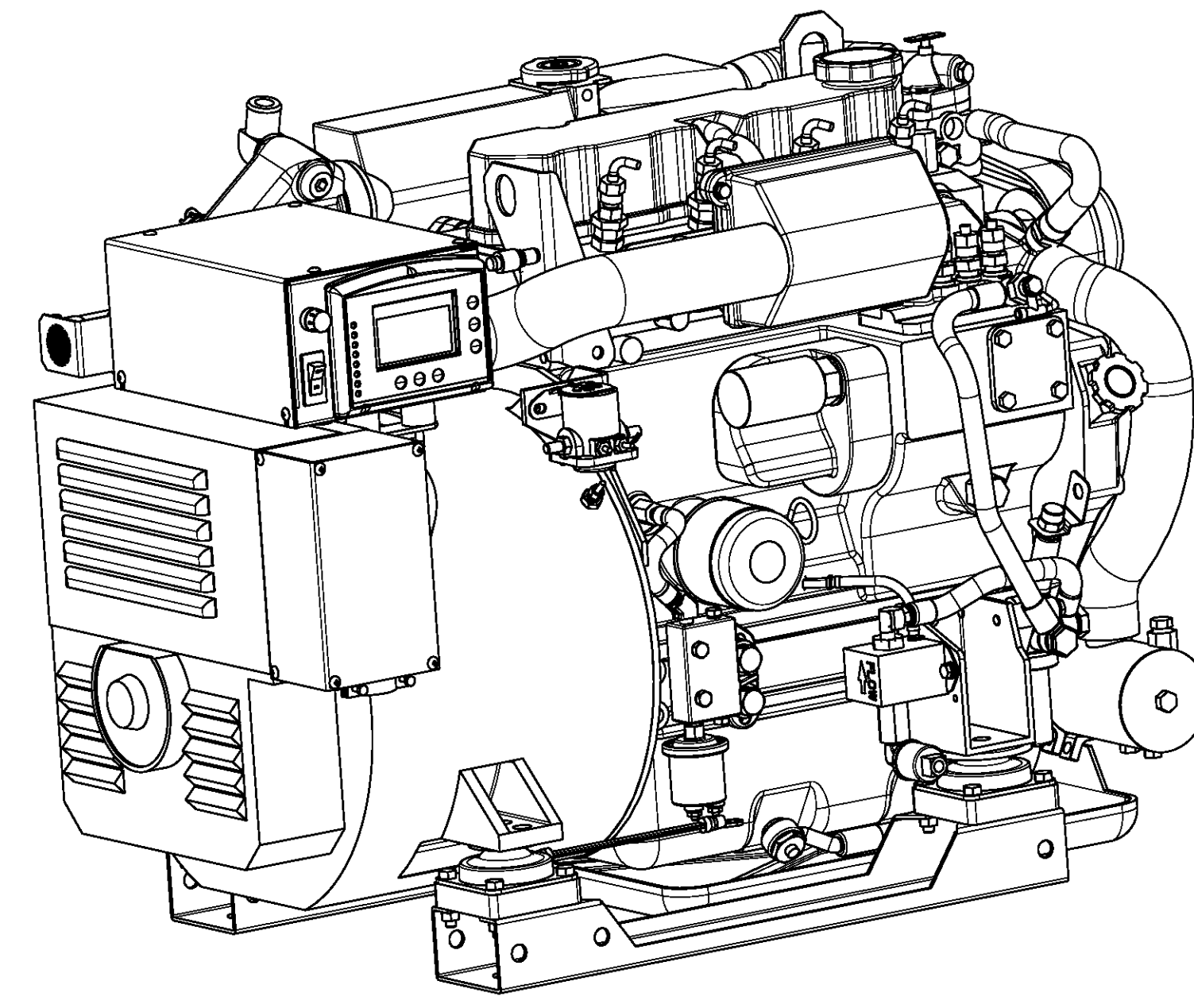
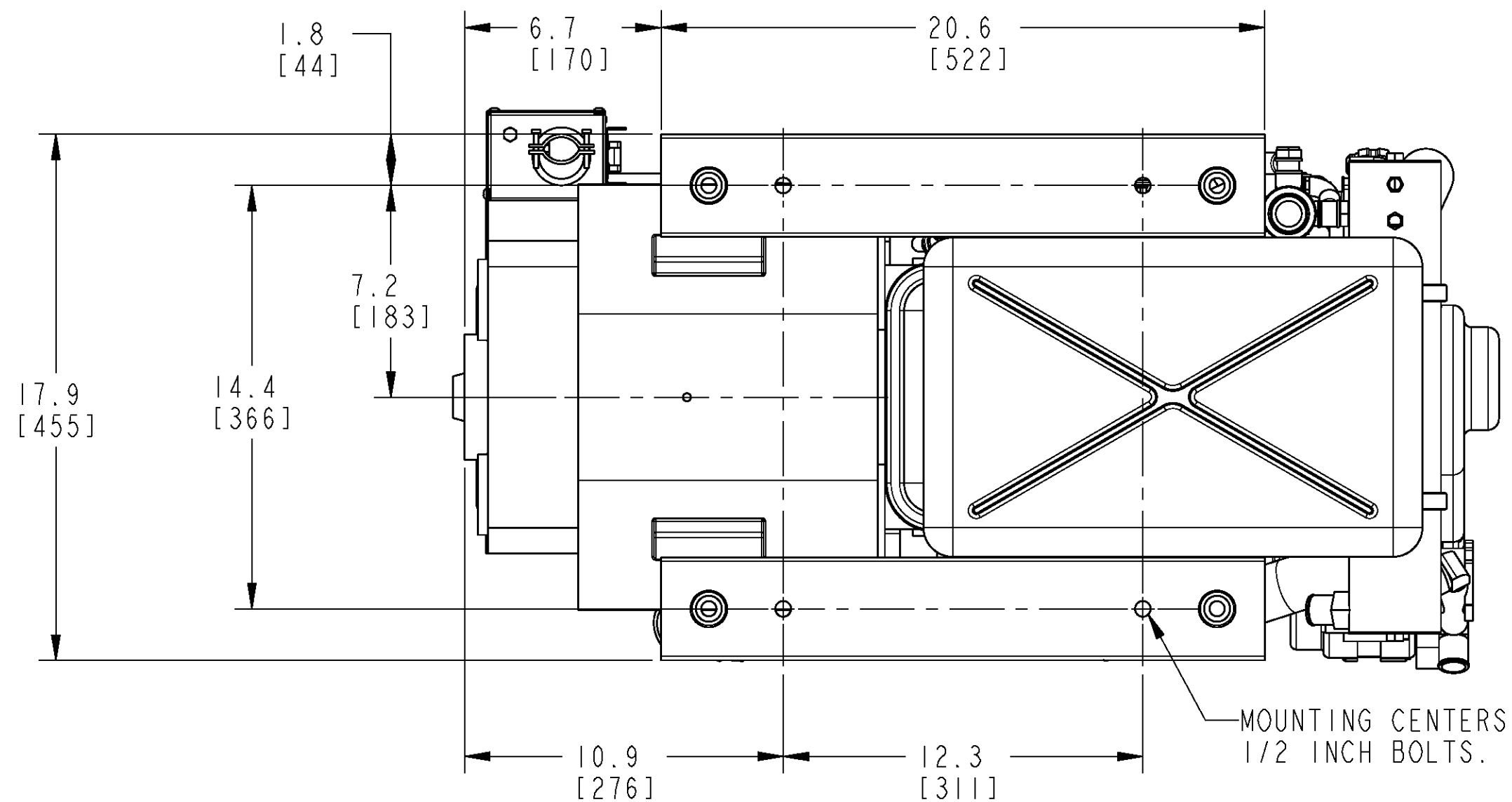
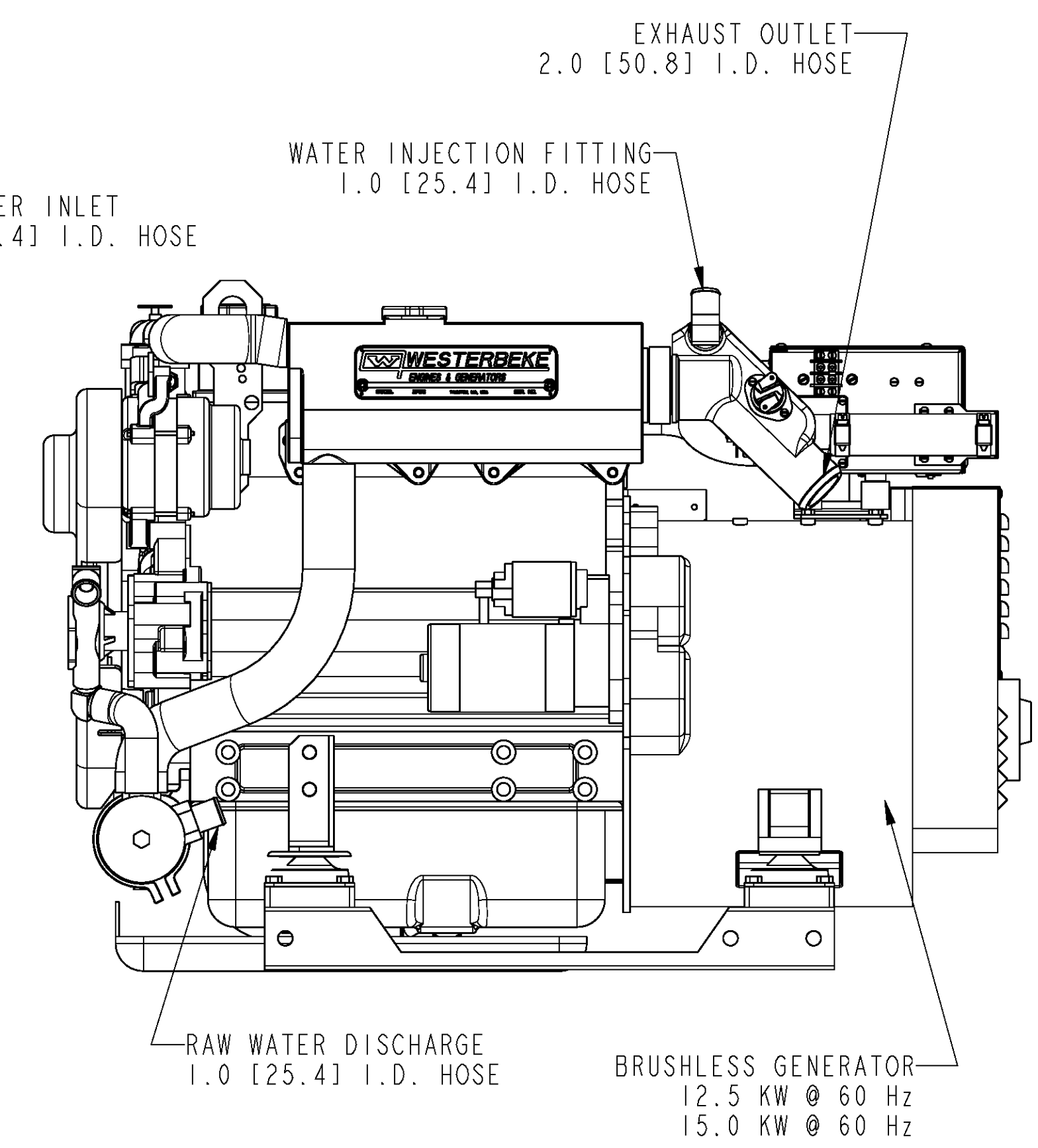
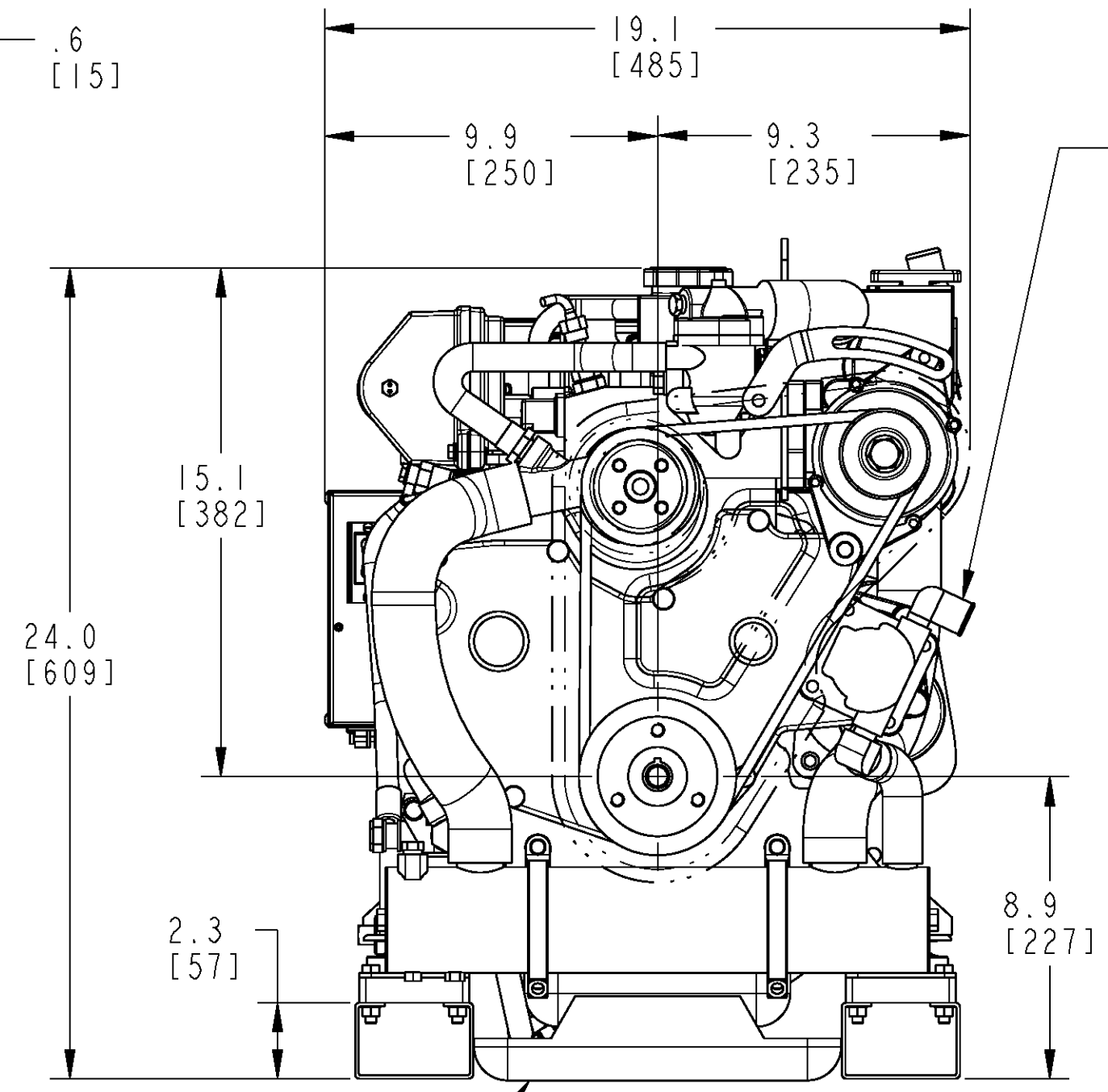
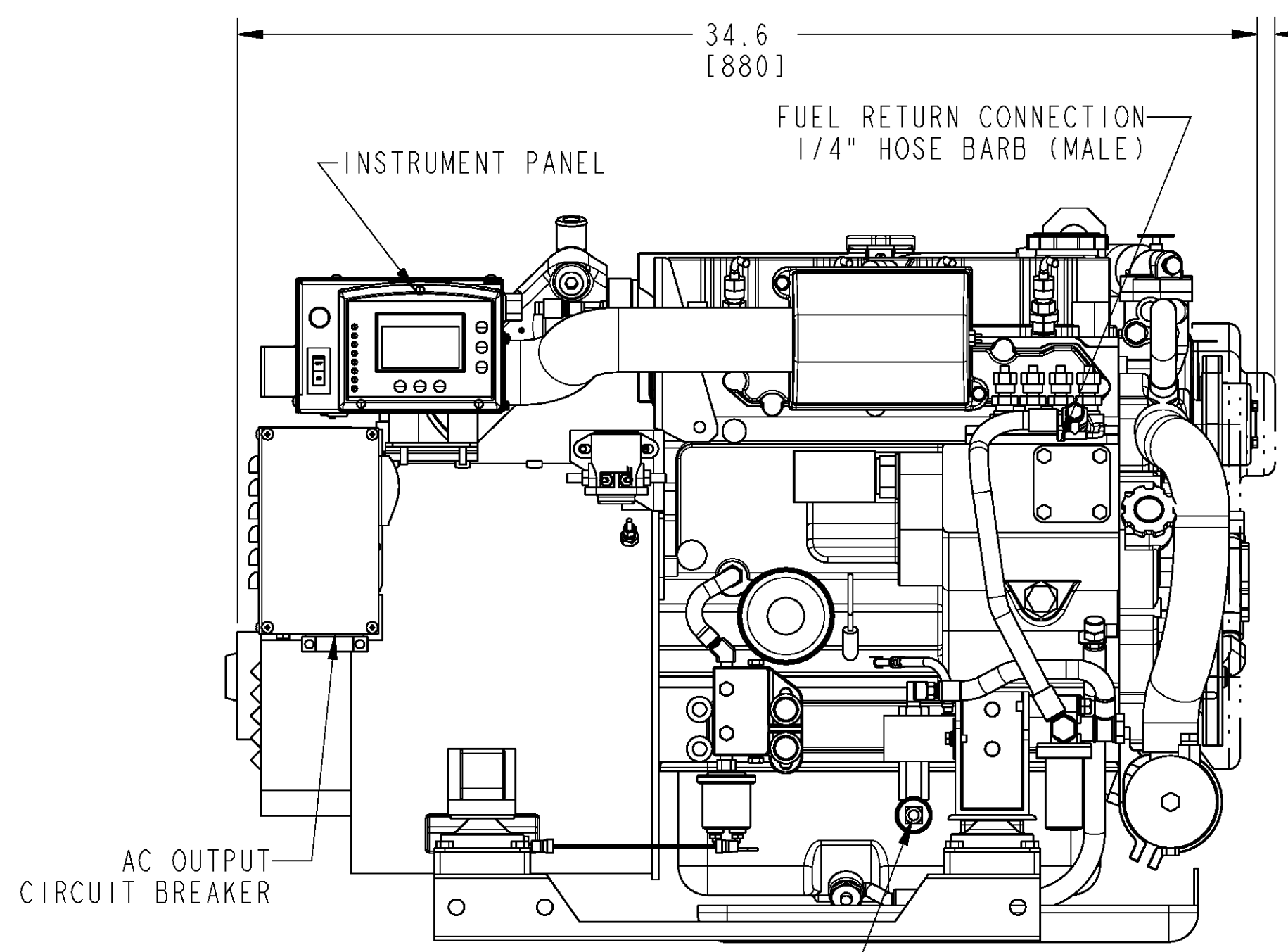


M12x.75 THREAD, 1.0 (25.4) DEEP
(3) HOLES EQUALLY SPACED ON A
Ø3.34 (85.0) B.C.



MODEL WITH 50 AMP ALTERNATOR

TOLERANCES (UNLESS OTHERWISE NOTED)		WESTERBEKE CORPORATION TAUNTON, MA. 02780	
INCHES	MILLIMETERS	TITLE	
.XX : .02	X : ± 1.0	INSTALLATION DRAWING	
.XXX : .005	X : ± .5	12.5-15.0 EDT@60Hz, 9.4-12.0 EDT@50Hz	
CAST : .03	.XX : ± .13	DRAWN BY	
ANGLES : 5°		DATE	
FINISH		MATERIAL:	
DIMENSIONS		APPROVED BY	
INCHES		DATE	
MILLIMETERS		SCALE 0.218	
(WHEN APPLICABLE)		SIZE DRAWING NUMBER	
		SHT. 1 OF 2	
		D 53426	
		REV.	
		-	